

Horizon Wall Light

SKU# 19486,19487

Rated Voltage 220-240V~ 50Hz

Thank you for purchasing this quality LEDlux Wall light. To ensure correct function and safety, please read and follow all instructions carefully before assembly, installation and use. Please keep instructions for future reference.

Warranty

- This LED Wall light is covered by a 3 year warranty. The warranty is from date of purchase, not the date of installation. Please retain proof of purchase.
- The use of non-compatible dimmers may damage your LED wall light and will void your warranty.
- Warranty will be void if there is any damage due to improper usage or modification to the LED downlight.
- Failure to comply with the instructions in this manual may increase the risk of damage or injury and will void warranty.

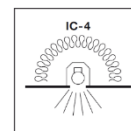
Installation Requirements

- Before installation, check the installation location in the ceiling has access to a socket outlet which is connected to a wall light switch and dimmer. If it does not, please contact a licensed electrician to arrange installation of the socket outlet, wall light switch and dimmer before continuing.
- All wiring and installation of the LED wall light must adhere to the latest local and national wiring rules. eg. AS/NZS 3000 Electrical Installations. If unsure, please contact a licensed electrician.
- Select a suitable location for installation:
- The mounting point must support 2 times the weight of the wall light.
- This LED wall light is suitable for indoor only.
- This LED wall light is dimmable and has been tested at the date of publication with the dimmers listed in the specification section.
- **NOTE:** Some dimmers have a minimum load of 20W. Ensure the dimmer position is on the maximum setting before returning on the LED light and adjust the dimmer down to your desired light level.

- **RISK OF FIRE**

Required clearance from structural members and building elements

MIC = 0mm SCB=0mm HCB = 0mm SCI= 0 mm



- This clearance applies to non-flammable/non-combustible insulating materials only.
- **Thermal insulation can be abutted to the side and cover over recessed wall light up to a maximum thickness of 360mm.**
- Thermal building insulation needs to comply 30 seconds of needle flame test in accordance with AS/NZS 60695.11.5.
- The LED driver can be placed under the insulation.
- The LED wall light module is only suitable for use with Driver model#:KDMH006S025RR64.
- Take care not to pull any electrical wires during unpacking as this may damage the connection.
- Lay out all the components on a smooth surface and make sure there are no components missing before assembling. If parts are missing, return the complete product to the place of purchase for inspection or replacement.
- Check whether the LED wall light has been damaged during transport. Do not operate/install any product which appears damaged in any way. Return the complete product to the place of purchase for inspection, repair or replacement.
- Ensure power to the circuit you are working on has been switched OFF before commencing any electrical work.

Installation Directions

Installation Instructions

1. Remove all packaging material from the product.
2. Cut an installation hole of \varnothing 52-55 into the wall. (Fig.2).
3. Install the mounting bracket into the cut out hole. Push the mounting clamps outward and tighten the screws on the mounting bracket until the mounting clamps are clamped firmly on the wall.
4. Gently pull the supply cords through the installation hole.
5. Gently pull the supply cords through the mounting bracket
6. Connect the mains supply wire to the light fitting using the terminal block provided.

Ensure that the wires are secure and no bare wires are exposed.

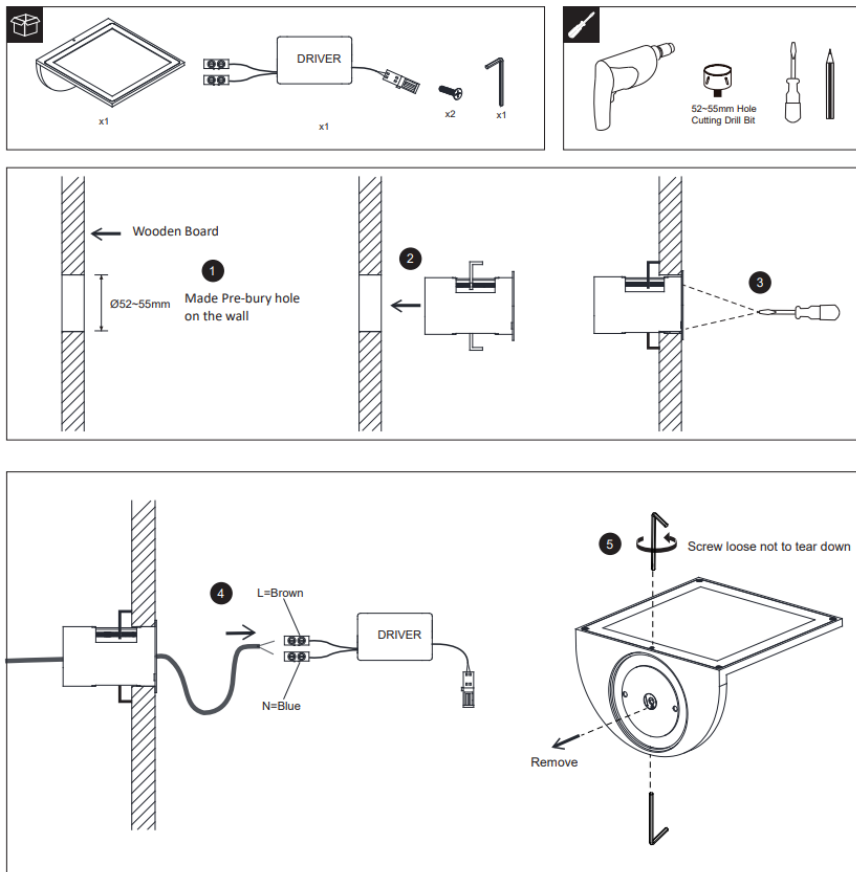
Mains Supply Wire

Fitting Wire

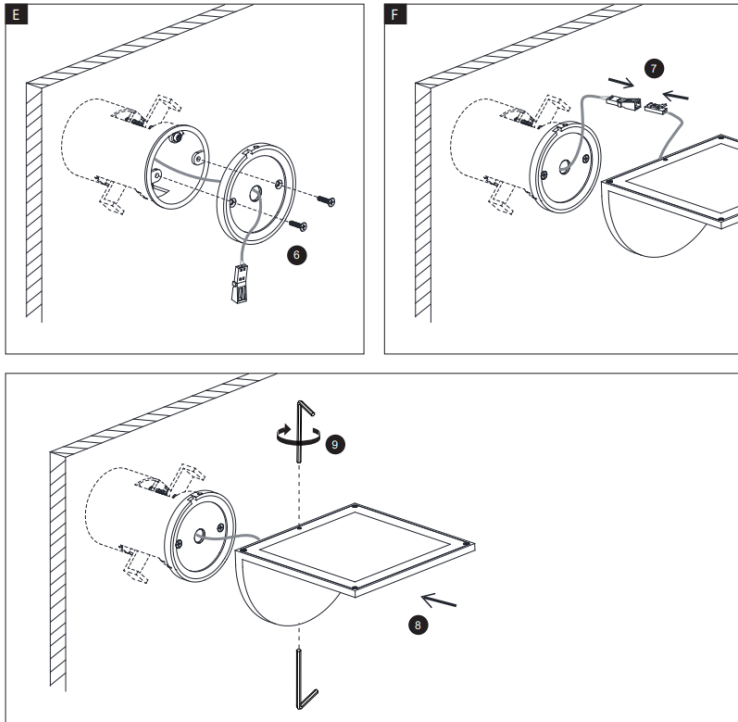
Neutral Blue or Black

Live Brown or Red

7. Loose the screw on the base not to be tear down and pull the quick connector out of the base
8. Put all luminaire parts back to the mounting bracket. Install the front plate back to the mounting bracket by tightening the two screws
9. Connect the both quick connector together.
10. Install the Main body to mountain bracket



Installation Instructions



Safety tips

- Always ensure the power is OFF and the LED wall light has cooled down before performing any maintenance, cleaning or making any adjustment to the LED downlight.
- To avoid injury or damage to the LED downlight, ensure that power leads and screws are secure before connecting the power.
- Select a suitable location away from liquids and hazards.
- To clean, wipe with a soft damp clean cloth. Do NOT soak or immerse the product in water or other liquids.
- Ensure that the LED wall light does not come in contact with corrosive chemicals/solvents or abrasive cleaners etc.

Specifications		
SKU #	19486	19487
Colour/Finish	Black	White
Rated Voltage	220-240V~ 50Hz	220-240V~ 50Hz
Rated Wattage	6W	6W
LED Specs	300 lumens, 3000K Warm White, CRI>80, Dimmable	300 lumens, 3000K Warm White, CRI>80, Dimmable
IP Rating	IP20	IP20
Weight	0.45kg	0.45kg
Dimensions	H:70mm W:120mm E:200mm	H:70mm W:130mm E:200mm

