

CIRCA 1 LT ROUND LED TRACK SPOTLIGHT

SKU# 18564

Rated Voltage 220-240V~ 50Hz

Thank you for purchasing this quality Lucci product. To ensure correct function and safety, please read and follow all instructions carefully before assembly, installation and use of this product. Please keep instructions for future reference.

Warranty

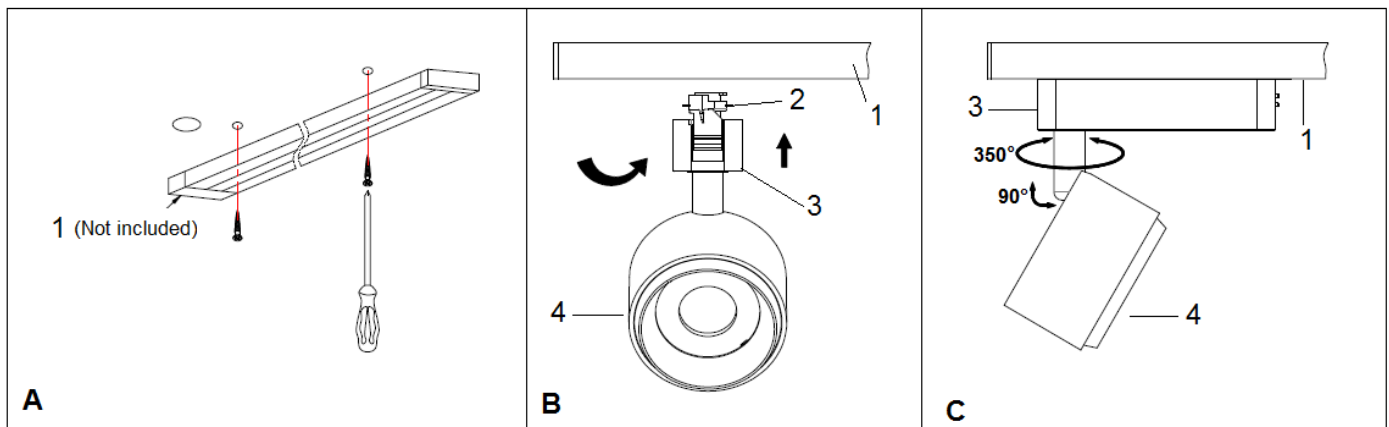
- This fitting is covered by a 3 year warranty. The warranty is from date of purchase, not the date of installation.
- If the fitting is not installed by a licensed electrician it will void the warranty.
- Please retain proof of purchase and evidence of installation by a licensed electrician for any warranty enquiries.
- The use of non-compatible dimmers may damage your LED light fitting and will void the warranty.
- Warranty will be void if there is any damage due to improper usage or modification to the fitting.
- Failure to comply with the instructions in this manual may increase the risk of damage or injury and will void warranty.

Installation requirements

- Must be installed by a licensed electrician.
- All wiring and installation of the light fitting must adhere to local and national wiring rules. eg. AS/NZS 3000:2007/Amendment 2:2012 Electrical installations.
- Select a suitable location for installation;
 - This product is suitable for indoor use only.
 - The mounting point must support 2 times the weight of the fitting.
 - Ensure the fitting is not installed next to any air vent system.
 - When installing a fitting in an area prone to moisture, ensure that the area is well ventilated and an appropriately rated exhaust fan is used if required. Damage or corrosion caused by moisture is not a product fault, and as such is not covered under warranty.
- This fitting is dimmable and has been tested at the date of publication with the dimmers listed in the specification section. The use of a LED dimmer such as the Lucci LEDlux SKU# 14380 dimmer is highly recommended.
NOTE: For the best dimming range, use with the Lucci LEDlux SKU# 14380 dimmer and adjust the variable resistor at minimum and maximum dimming positions on the dimmer during the installation.
NOTE: Dimming may cause buzzing sounds or a slight flicker. There may be slight delays with the LED light start up or slight uneven light performance when more than one LED light fitting is linked together, switched ON or dimmed. This is not a product fault and as such is not covered under warranty.
NOTE: Some dimmers have a minimum load of 20W. Ensure the dimmer position is on the maximum setting before turning on the LED light and adjust the dimmer down to your desired light level.
- Take care not to pull any electrical wires during unpacking as this may damage the connection.
- Lay out all the components on a smooth surface and make sure there are no components missing before assembling. If parts are missing, return the complete product to the place of purchase for inspection or replacement.
- Check whether the fitting has been damaged during transport. Do not operate/install any product which appears damaged in any way. Return the complete product to the place of purchase for inspection, repair or replacement.
- Ensure power to the circuit you are working on has been switched OFF before commencing any electrical work.

Installation directions

1. Remove all packaging material from the product and be careful not to throw away accessories that may be hidden within the packaging material.
2. Install the track (1, not included) in a suitable location. **Fig A.**
3. Align the track spot adaptor (2) into the track (1) and rotate the lamp base (3) 90 degrees to lock it in. Ensure that the track spot adaptor (2) is compatible with the track (1) installed. **Fig B.**
4. Hold the lamp base and rotate the LED lamp head (4) to your preferred lighting angle. **Fig C.**
NOTE: When adjusting the lamp head (4), do not rotate more than 350°, or raise upward more than 90°, as this may damage the internal wiring.
5. After the installation, switch on the fitting to test and enjoy your new lighting product.



NOTE: When adjusting the lamp head (4), do not rotate more than 350°, or raise upward more than 90°, as this may damage the internal wiring.

Safety tips

- Always ensure the power is OFF and the fitting has cooled down before performing any maintenance, cleaning or adjustment to the fitting.
- To avoid injury or damage to the fitting, ensure that power leads and screws are secure before connecting the power.
- Ensure that the fitting does not come in contact with corrosive chemicals, etc.
- To clean, wipe with a damp clean cloth. Never soak the fitting with water.

Specifications

SKU #	18564	
Colour	Black	
Rated Voltage	220-240V~ 50Hz	
Rated Wattage	12W	
LEDs	Luminus LEDs, 3000K, 800LM	
Weight	0.35kg	
Dimensions	H:140mm L:170mm W:80mm Max.	
Dimmer Information	Highly Recommended Dimmers	Compatible Dimmers
	Lucci LEDlux SKU# 14830	LUMEX Load Smart LT1D450LS; DIGINET LED Smart MEDM; Clipsal 31E2RUDM, 32E450TM, 32E450UDM, 31E2PUDM and 32ELEDM; HPM: Cat. 400T