

Installation Instructions
SKU# 20594, 20595
(KE-LTD0299G-10W-WH/ KE-LTD0299G-10W-BK)
Rated Voltage 220-240V, 50Hz

THANK YOU FOR PURCHASING THIS QUALITY LEDlux PRODUCT, TO ENSURE CORRECT FUNCTION AND SAFETY, PLEASE READ AND SAVE ALL INSTRUCTIONS CAREFULLY BEFORE USING THE PRODUCT.

This luminaire complies with AS/NZS 60598.2.2: 2001 Amendment A (NZ only)

WARRANTY:

- 5 years warranty on Luminaire.

INSTALLATION REQUIREMENTS:

• **RISK OF FIRE**

Required clearance from structural members and building elements

MIC = 0mm SCB=0mm HCB = 0mm SCI= 0 mm

- This clearance applies to non-flammable/non-combustible insulating materials only.
- Thermal insulation can be abutted to the side and cover over recessed downlight up to a maximum thickness of 360mm.
- Thermal building insulation needs to comply 30 seconds of needle flame test in accordance with AS/NZS 60695.11.5.
- The front of the fitting or the LED lens side of the fitting is rated IP44 only after it is fully installed, this must be maintained during installation.

NOTE: The back of the fitting and the driver are not rated IP44 and is IP20 only.

- All wiring and installation of the light fitting must adhere to local and national wiring rules. eg. AS/NZS 3000 Electrical installations.

This fitting is dimmable and has been tested with the Clipsal 32E450TM, 32E450UDM, 31E2RUDM, 31E2PUDM, 32ELEDM, HPM Cat 400T, LUMEX Load Smart LT1D450LS and LEDlux dimmer SKU# 14380.

NOTE: Dimming may cause buzzing sounds in some areas.

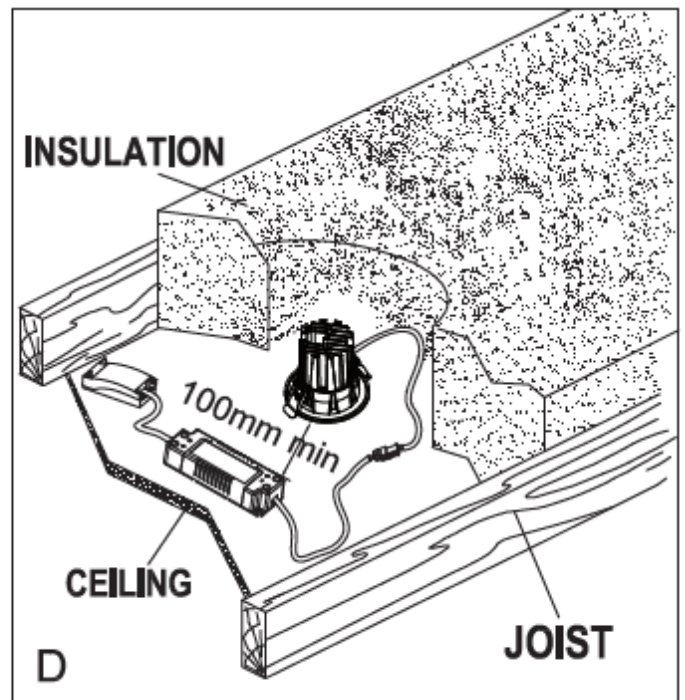
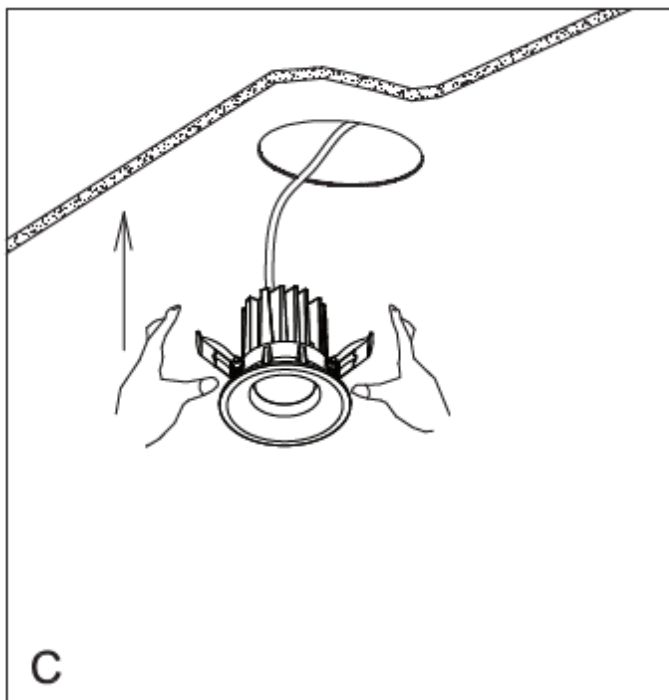
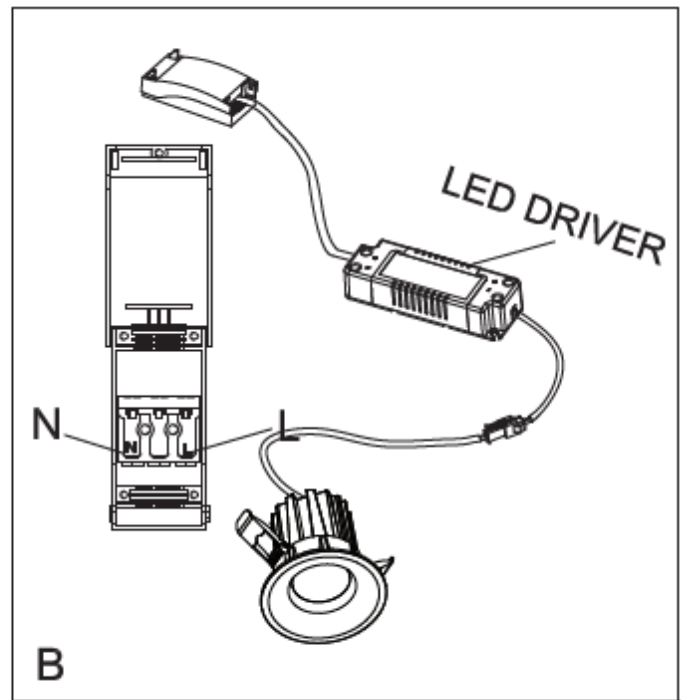
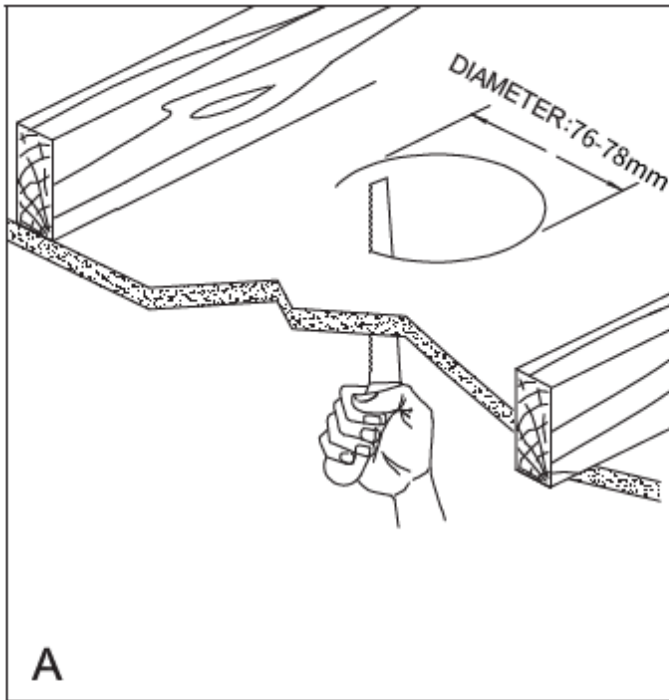
- Some dimmers have a minimum load of 20W before turning on the LED downlight, ensure the dimmer position is on Maximum setting.

The LED down light module is only suitable for use with LED driver Model # **SK810-B-13230CN**.

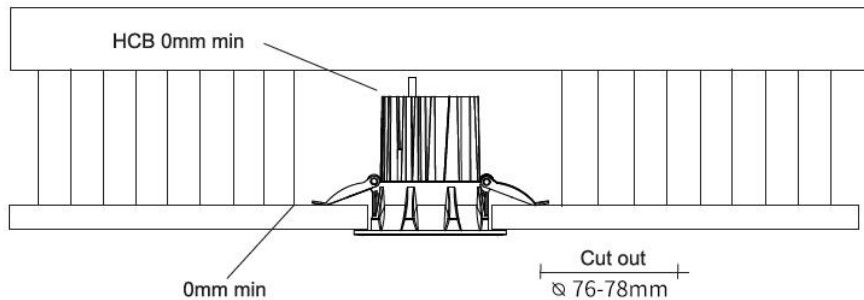
- Caution: Recessed luminaires and their associated equipment may pose a risk of fire or damage to property if not installed and maintained correctly.



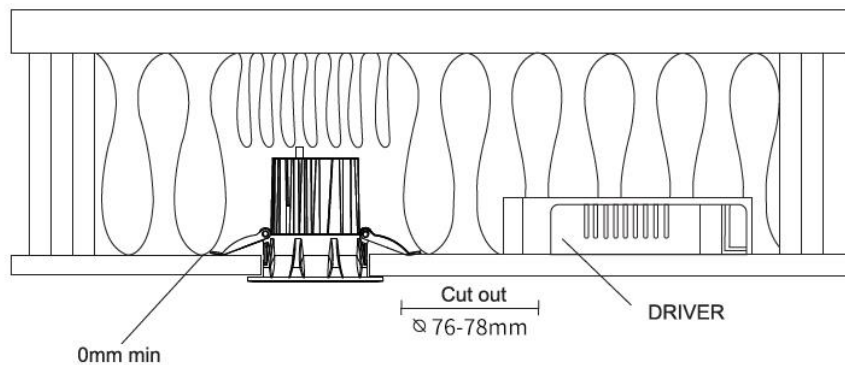
INSTALLATION DIRECTIONS:



Uninsulated Ceiling



Uninsulated Ceiling



- Take care not to pull any electrical wires during unpacking as this may damage the connection.
- Lay out all the components on a smooth surface and make sure there is no component's missing before assembling.
- Check whether the fitting has been damaged during transport. Do not operate/install any product which appears damaged in any way. Return the complete product to the place of purchase for inspection, repair or replacement.
- Ensure all power to the circuit you are working on has been switched OFF.
- Cut the installation hole of $\Phi 76-78\text{mm}$ into the ceiling.(Figure 1)
- Connect the mains supply wire to the light fitting using the terminal block provided.
Ensure that the wires are secure and no bare wires are exposed.

Mains Supply Wire

Neutral – Blue or Black

Live – Brown or Red

Fitting Wire

Blue

Brown

- Place the LED driver and LED downlight into the ceiling.
- **Thermal insulation can be abutted to the side and cover over LED Driver up to a maximum thickness of 360mm.**

TIPS:

1. Always ensure the power is OFF and the fitting has cooled down before performing any maintenance or adjustment to the fitting.
2. To avoid injury or damage to the fitting, ensure that power leads and screws are secure before connecting the power.
3. Handle the fitting and cover/shade with care to avoid breakage.
4. Find a suitable location away from liquids and hazards.
5. Ensure that the fitting does not come in contact with corrosive chemicals, etc.
6. To clean, wipe with a damp clean cloth. Never soak the fitting with water.

SPECIFICATIONS:

SKU #	MODEL #	RATED VOLTAGE	LED
#20594	KE-LTD0299G-10W-WH	220-240V~50Hz	10W LED 3000K (non replaceable)
#20595	KE-LTD0299G-10W-BK	220-240V~50Hz	10W LED 3000K (non replaceable)