

Installation Instructions

MASU

SKU# 18080, 18082, 21734, 21735

Rated Voltage 220-240V~ 50Hz

Thank you for purchasing this quality LEDlux product. To ensure correct function and safety, please read and follow all instructions carefully before assembly, installation and use of this product. Please keep instructions for future reference.

Warranty

- This light fitting is covered by a 3 year warranty. The warranty is from date of purchase, not the date of installation.
- If the fitting is not installed by a licensed electrician it will void the warranty.
- Please retain proof of purchase and evidence of installation by a licensed electrician for any warranty enquiries.
- The use of non-recommended dimmers may damage your LED light fitting and will void the warranty.
- Warranty will be void if there is any damage due to improper usage or modification to the fitting.
- Failure to comply with the instructions in this manual may increase the risk of damage or injury and will void warranty.

Installation requirements

- Must be installed by a licensed electrician.
- All wiring and installation of the light fitting must adhere to local and national wiring rules.
eg. AS/NZS 3000:2007/Amendment 2:2012 Electrical installations.
- This is a Class I fitting and must be earthed during installation.
- This fitting is suitable for indoor use only.
- This fitting is dimmable and has been tested at the date of publication with the dimmers listed in the specification section.

NOTE: The use of non-recommended dimmers may damage your LED light fitting and will void the warranty.

NOTE: Dimming may cause buzzing sounds or a slight flicker. There may be slight delays with the LED light start up or slight uneven light performance when more than one LED light fitting is linked together, switched ON or dimmed. This is not a product fault and as such is not covered under warranty.

NOTE: Some dimmers have a minimum load of 20W. Before turning on the fitting, ensure the dimmer position is on the maximum setting.

- Take care not to pull any electrical wires during unpacking as this may damage the connection.
- Lay out all the components on a smooth surface and make sure there are no components missing before assembling. If parts are missing, return the complete product to the place of purchase for inspection or replacement.
- Check whether the fitting has been damaged during transport. Do not operate/install any product which appears damaged in any way. Return the complete product to the place of purchase for inspection, repair or replacement.
- Ensure power to the circuit you are working on has been switched OFF before commencing any electrical work.

Installation Instructions

Installation directions

1. Remove all packaging material from the fitting.
2. Remove the lamp base from the fitting by loosening the screws (F) .
3. Use the lamp base (B) as a template to mark the screw positions onto the ceiling. Drill holes into the ceiling and push plastic anchors (A) into the holes.
4. Install the fitting onto the ceiling by using the mounting screws (C) provided. Check and ensure that the anchors and mounting screws are suitable for the mounting surface.
5. Connect the mains supply wire to the terminal blocks (G) . Ensure that the wires are secure and no bare wires are exposed.

Mains Supply Wire

Earth – Yellow/Green 

Neutral – Blue or Black

Live – Brown or Red

Fitting Wire

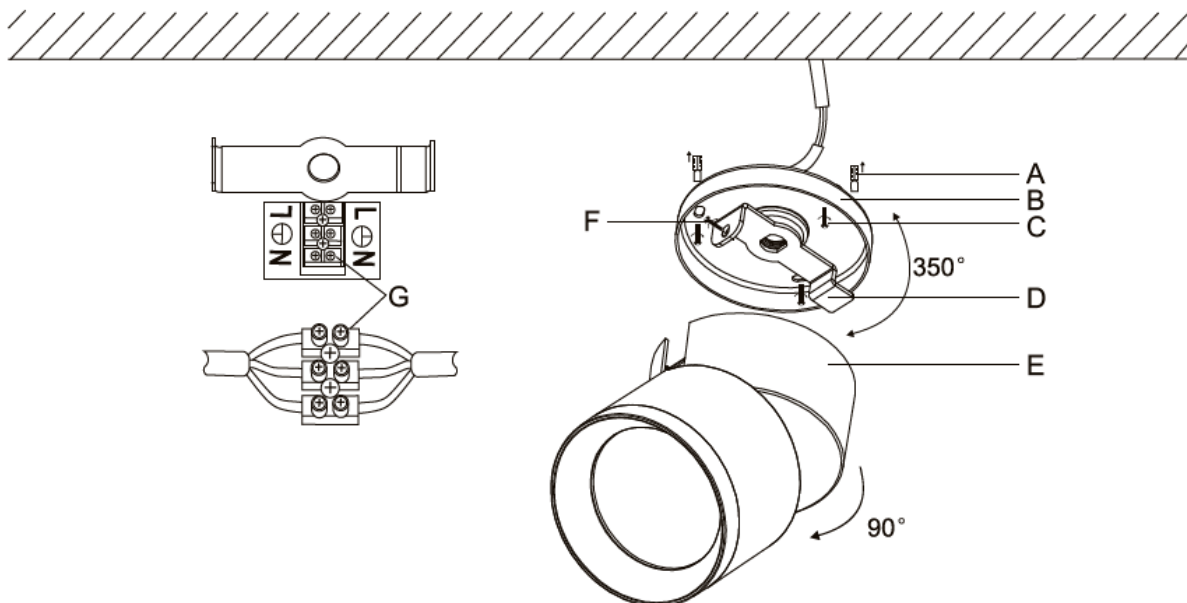
Yellow/Green

Blue

Brown

6. Install the lamp body (E) onto the lamp base (B) by securing the screws.
7. After the installation, switch on the fitting to test and enjoy your new lighting product.

NOTE: When adjusting the lamp head do not rotate more than 350°, or raise upward more than 90°, as this may damage the internal wiring



Installation Instructions

Safety tips

- Always ensure the power is OFF and the fitting has cooled down before performing any maintenance, cleaning or making any adjustment to the fitting.
- To avoid injury or damage to the fitting, ensure that power leads and screws are secure before connecting the power.
- Ensure that the fitting does not come in contact with corrosive chemicals, etc.
- To clean, wipe with a damp clean cloth. Never soak the fitting with water.
- Handle the fitting and cover/shade with care to avoid breakage.

Specifications				
SKU #	#18080	#18082	#21734	#21735
Colour	White	Black	White	Black
Rated Voltage	INPUT: 220-240V~ 50Hz,			
Rated Wattage	18W			
LED Specs	LED 3000K		LED 4000K	
Dimmer Information	Highly Recommended Dimmers	Lucci LEDlux SKU# 14380		
	Compatible Dimmers	LUMEX Load Smart LT1D450LS; DIGINET LED Smart MEDM; Clipsal 31E2RUDM, 32E450TM, 32E450UDM, 31E2PUDM and 32ELEDM; HPM: Cat. 400T		
Weight	0.83kg			
Dimensions	E :120mm W:177mm H:177			