

HAMPTON LED WALL BRACKET with Sensor

SKU# 21397

Rated Voltage 220-240V~ 50Hz

Thank you for purchasing this quality LEDlux product. To ensure correct function and safety, please read and follow all instructions carefully before assembly, installation and use of this product. Please keep instructions for future reference.

Warranty

- This luminaire is covered by a 3 year warranty. The warranty is from date of purchase, not the date of installation.
- If the luminaire is not assembled and installed by a licensed electrician the warranty will be void.
- Please retain proof of purchase and evidence of installation by a licensed electrician.
- Warranty will be void if there is any damage due to improper usage or modification to the luminaire.
- Failure to comply with the instructions in this manual may increase the risk of damage or injury and will void warranty.

Installation requirements

- Must be assembled and installed by a licensed electrician.
- All wiring and installation of the luminaire must adhere to latest local and national wiring rules. eg. AS/NZS 3000 Electrical installations.
- This luminaire is not suitable for use with dimmer switches and should not be used on a circuit which has a dimmer.
- Select a suitable location for installation:
 - This luminaire is protected against water penetration to IP54 standards, which is splashing from every direction. This must be maintained during installation.
 - It is suitable for indoor or outdoor use.
 - The mounting point must support 2 times the weight of the luminaire.
- Take care not to pull any electrical wires during unpacking as this may damage the connection.
- Lay out all the components on a smooth surface and make sure there are no components missing before assembling. If parts are missing, return the complete product to the place of purchase for inspection or replacement.
- Check whether the luminaire has been damaged during transport. Do not operate/install any product which appears damaged in any way. Return the complete product to the place of purchase for inspection, repair or replacement.

Installation directions

Remove all packaging material from the product and be careful not to throw away accessories that may be hidden within the packaging material.

NOTE: There is an EVA block placed between the back plate and glass shade. It is used to prevent vibrations and damages of the glass shade during transportation and installation. Do not remove the EVA block until completing the installation.

1. Switch off the power before commencing the installation. (Fig.1)
2. Remove the mounting bracket by loosening the screws from both sides using the Allen key provided. (Fig.2)
3. Install the mounting bracket on the wall by using appropriately sized mounting screws and anchors. Ensure the screws and anchors used are suitable for mounting surface and the surrounding environment. (Fig.3, 4)

NOTE: It is recommended that a non-corrosive bead of silicone be applied before installation onto the wall ensuring that no water can run down into the cabling.

4. Connect the mains supply wire to the luminaire using the terminal block provided. Ensure that the wires are secure and no bare wires are exposed. (Fig.5)

Mains Supply Wire

Terminal block

Installation Instructions

Earth – Yellow/Green

Live – Brown or Red

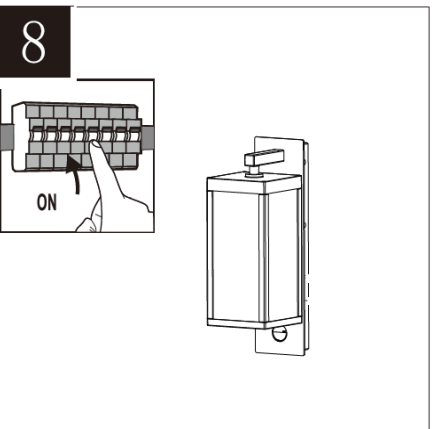
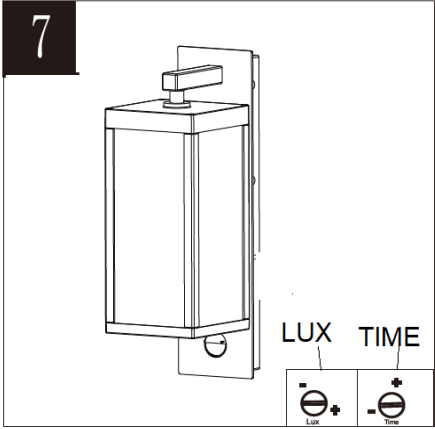
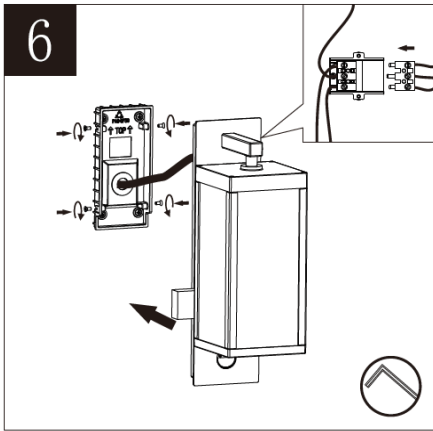
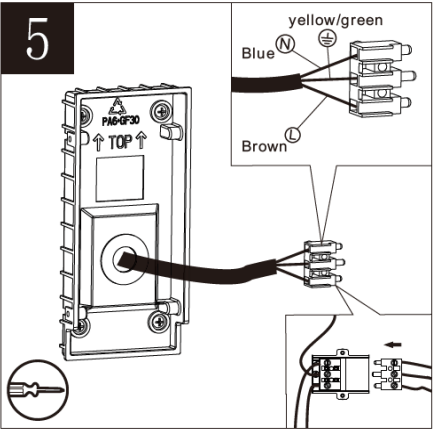
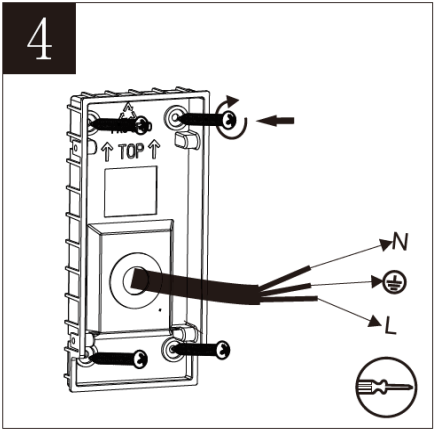
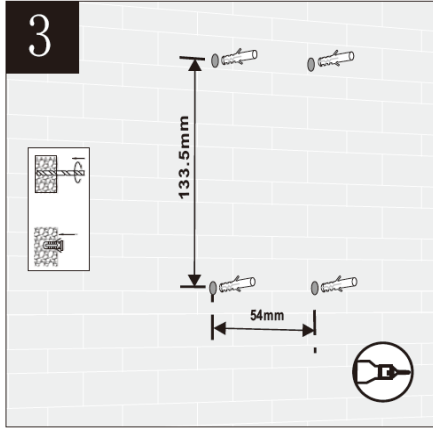
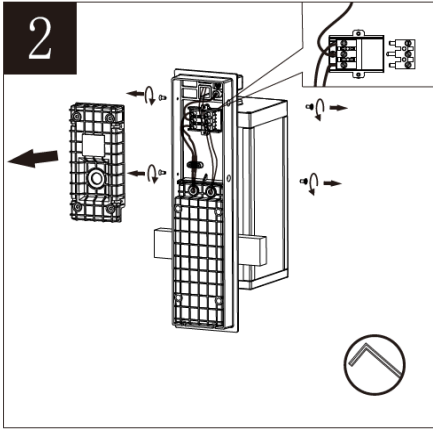
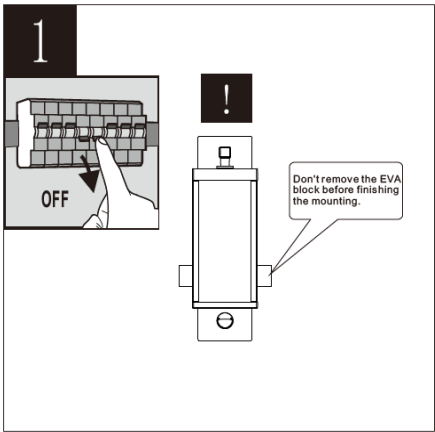
Neutral – Blue or Black

Yellow/Green or

Live (L)

Neutral (N)

5. Install the luminaire back onto the mounting bracket by tightening the screws on the both sides. Gently remove the EVA block once installation is completed. (Fig.6)
6. Adjust the PIR sensor according to your preference. (Fig.7)(Refer to the 'PIR Sensor information' section for more details)
7. Make any final adjustments to the luminaire and check that all parts are secured tightly before turning the power on. (Fig.8)



PIR sensor information

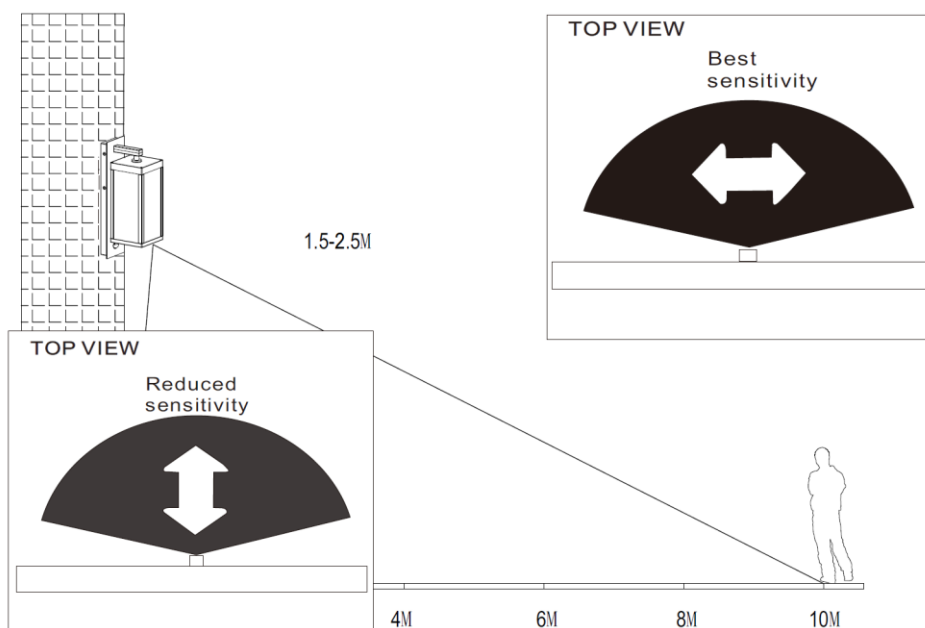
PIR (PASSIVE INFRA RED) SENSOR:

The fitting has a PIR (Passive Infra Red) sensing device which continuously scans the operating zone and immediately switches the light on when it detects movement in that area. Whenever movement is detected within the range of the sensor, the light will switch on automatically to illuminate the area. While there is movement within the sensor range, the light will remain on.

SENSOR LOCATION & INFORMATION:

To find a suitable location for installation, please take into consideration the following points:

- The ideal mounting height for the fitting is between 1.5m to 2.5m above the detection area.
- The detection area is approximately maximum 10 metres away at an angle of 120° wide. This may vary depending on the mounting height and location.
- The detection area may also alter at different temperatures. PIR sensors are more sensitive in cold weather than warm weather.
- The sensor has better sensitivity with movement across the detection area.
- The sensor has reduced sensitivity with movement towards and away from the detection area.
- If movement is made walking directly towards or away from the sensor and not across, the apparent detection range will be substantially reduced.
- To avoid false triggering, the sensor should be directed away from potential heat sources, such as barbecues, air-conditioners, air vent etc.
- Avoid installing the fitting in close proximity or on the same circuit to any fluorescent light fittings or ceiling fans. RFI (Radio Frequency Interference) may cause the fitting to switch on unintentionally.
- Do not aim the sensor towards reflective surfaces, such as smooth white walls, swimming pools etc.
- To avoid damage to the sensor, do not aim the sensor towards the sun.
- It is recommended that the fitting is installed on its own switch and does not interconnect with other lights on the same switch as it may cause false triggering.



SENSOR SWITCH SETTINGS:

Installation Instructions

DURATION TIME: The time of the light remain switched on after activation can be adjusted from 8 secs to 3 mins. Adjust the timer switch anti-clockwise to the minimum position then the fitting will activate and last 8 secs before turn off. Adjust the timer switch clockwise to the maximum position then the fitting will activate and last 3 mins before turn off.

LUX LEVEL: The lux control module has a built-in sensing device (photocell) that detects daylight and darkness. Adjust the lux-level switch clockwise to the maximum position then the fitting will work at both day and night. Adjust the lux-level switch anti-clockwise to the minimum position then it will only work at night.

NOTE: If you want to test the detection area of the PIR sensor, please wait for the ambient light level is below 30 lux.

MANUAL MODE (SENSOR OVERRIDE FUNCTION):

Manual mode is used when you would like the luminaire to be constantly on. The PIR sensor will be disabled and not affected by the duration time and lux level settings.

- 1) To switch into manual mode, turn on the wall switch twice within three seconds. (Wall switch action: OFF → ON → OFF → ON.) The maximum duration for manual mode is 8 hours. Then the luminaire will be back into the sensor mode automatically after the maximum duration.
- 2) The manual mode can be stopped by turning the luminaire OFF then wait for 1 minute to switch the luminaire on again. (Wall switch action: OFF → Wait for 1 minute → ON). The luminaire will be back into the sensor mode.

Safety tips

- Always ensure the power is OFF and the luminaire has cooled down before performing any maintenance, cleaning, or making any adjustment to the luminaire.
- To avoid injury or damage to the luminaire, ensure that power leads and screws are secure before connecting the power.
- The luminaire must not be used if the shades has been cracked. Replace any cracked protective shield.
- The light source of this luminaire is not replaceable; when the light source reaches its end of life the whole luminaire shall be replaced.
- Ensure that the luminaire does not come in contact with corrosive chemicals/solvents or abrasive cleaners etc.
- To clean, wipe with a damp clean cloth. Do NOT soak or immerse the product in water or other liquids.

Specifications

SKU #	21397
Colour	Black
Rated Voltage	220-240V~ 50Hz
Rated Wattage	13W Max.
LED Specs	600 lumen, CCT 3000K, CRI > 80, Non-dimmable
IP Rating	IP54
PIR Sensor	Detection range & angle: Max.10M, 120° Required installation height: 1.5 – 2.5M Lux & Time adjustment: 30 – 1000lux, 8s – 3min.
Weight	2.3kg
Dimensions	H:380mm W:120mm E:170mm