

## REUBEN WALL LIGHT

SKU#20130

Rated Voltage 220-240V~ 50Hz

Thank you for purchasing this quality LEDLUX product. To ensure correct function and safety, please read and follow all instructions carefully before using the product. Please keep instructions for future reference.

### Warranty

- This light fitting is covered by a 3 year warranty. The warranty is from date of purchase, not the date of installation. Please retain proof of purchase and evidence of installation by a licensed electrician.
- Warranty will be void if there is any damage due to improper usage or modification to the fitting.
- This light fitting is not suitable for use with dimmer switches. Warranty will be void if the fitting is used on the same circuit which has a dimmer switch.
- Failure to comply with the instructions in this manual may increase the risk of damage or injury and will void warranty.

### Installation requirements

- Must be installed by a licensed electrician.
- All wiring and installation of the light fitting must adhere to local and national wiring rules. eg. AS/NZS 3000 Electrical installations.
- This fitting is not suitable for use with dimmer switches and should not be used on a circuit which has a dimmer.
- Replace any cracked protective lamp shade to maintain IP rating when using this fitting.
- Select a suitable location for installation:
  - This fitting is rated IP54 which is protected against jets of water.
  - The mounting point must support 2 times the weight of the fitting.
- Take care not to pull any electrical wires during unpacking as this may damage the connection.
- Lay out all the components on a smooth surface and make sure there are no components missing before assembling. If parts are missing, return the complete product to the place of purchase for inspection or replacement.
- Check whether the fitting has been damaged during transport. Do not operate/install any product which appears damaged in any way. Return the complete product to the place of purchase for inspection, repair or replacement.
- Ensure power to the circuit you are working on has been switched OFF, before commencing any electrical work.

### Installation directions

1. Remove all packaging material from the fitting.
2. Turn OFF the power to the fitting.
3. Remove the back cover from the lamp by loosening the screws with allen key provided. .
4. Use the back cover as a template to mark the position of the holes on the wall.
5. Install the mounting bracket on the wall by using appropriately sized mounting screws and anchors. Ensure the screws and anchors used are suitable for mounting surface and the surrounding environment.

NOTE: It is recommended that a non-corrosive bead of silicone be applied before installation onto the wall ensuring that no water can run down into the cabling.

NOTE: There is a water-proof silicone gasket provided. The silicone gasket must be placed on the mounting screws before tightening them

- Connect the mains supply wire to the luminaire using the terminal block provided. Ensure that the wires are secure and no bare wires are exposed.

Mains Supply Wire

Terminal block

Earth – Yellow/Green

Yellow/Green or 

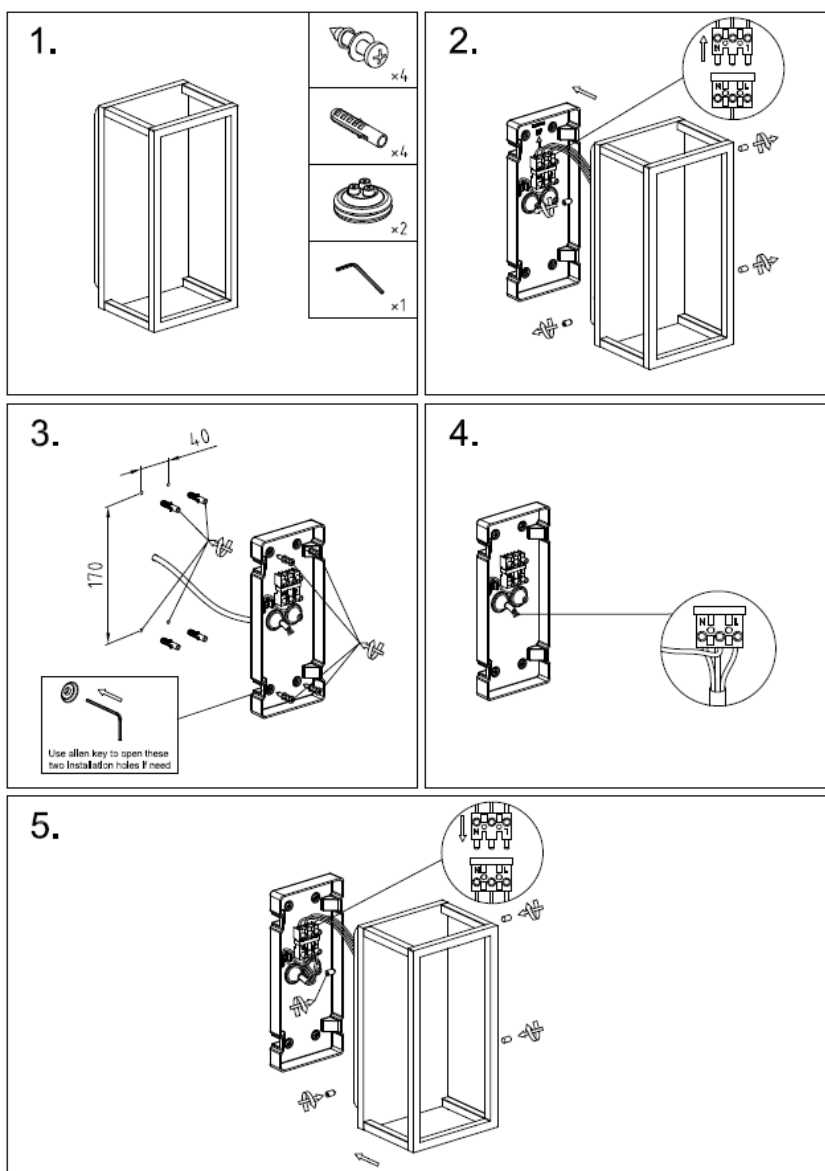
Live – Brown or Red

Live (L)

Neutral – Blue or Black

Neutral (N)

- Install the luminaire back onto the mounting bracket by tightening the screws on the both sides.
- Make any final adjustments to the luminaire and check that all parts are secured tightly before turning the power on.
- Turn ON the power to the fitting.



## Safety tips

- Always ensure the power is OFF and the fitting has cooled down before performing any maintenance, cleaning or adjustment to the fitting.
- To avoid injury or damage to the fitting, ensure that power leads and screws are secure before connecting the power.
- Ensure that the fitting does not come in contact with corrosive chemicals, etc.
- To clean, wipe with a damp clean cloth. Never soak the fitting with water.

## Specifications

SKU #	#20130
Color	Black
Rated Voltage	220-240V~, 50Hz
Rated Wattage	8W
LED	150LM
IP Rating	IP54