

MICRO

SKU# 19790,19791

Rated Voltage 220-240V~ 50Hz

Thank you for purchasing this quality LEDlux surface downlight. To ensure correct function and safety, please read and follow all instructions carefully before assembly, installation and use. Please keep instructions for future reference.

Warranty

- This LED downlight is covered by a 3 year warranty. The warranty is from date of purchase, not the date of installation. Please retain proof of purchase.
- The use of non-compatible dimmers may damage your LED downlight and will void your warranty.
- Warranty will be void if there is any damage due to improper usage or modification to the LED downlight.
- Failure to comply with the instructions in this manual may increase the risk of damage or injury and will void warranty.

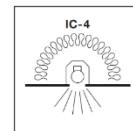
Installation Requirements

- Before installation, check the installation location in the ceiling has access to a socket outlet which is connected to a wall light switch and dimmer. If it does not, please contact a licensed electrician to arrange installation of the socket outlet, wall light switch and dimmer before continuing.
- All wiring and installation of the LED surface downlight must adhere to the latest local and national wiring rules. eg. AS/NZS 3000 Electrical Installations. If unsure, please contact a licensed electrician.
- Select a suitable location for installation:
- The mounting point must support 2 times the weight of the LED surface downlight.
- This LED surface downlight is suitable for indoor use only.
- This LED surface downlight is dimmable and has been tested at the date of publication with the dimmers listed in the specification section.
- **NOTE:** Some dimmers have a minimum load of 20W. Ensure the dimmer position is on the maximum setting before turning on the LED light and adjust the dimmer down to your desired light level.

- **RISK OF FIRE**

Required clearance from structural members and building elements

MIC = 0mm SCB=0mm HCB = 0mm SCI= 0 mm



- This clearance applies to non-flammable/non-combustible insulating materials only.
- **Thermal insulation can be abutted to the side and cover over recessed downlight up to a maximum thickness of 360mm.**
- Thermal building insulation needs to comply 30 seconds of needle flame test in accordance with AS/NZS 60695.11.5.
- The LED driver can be placed under the insulation.
- The LED downlight module is only suitable for use with Lucci LED Driver model#: **SK122-B-07120**.
- The LED downlight must not be used if the diffuser on the LED downlight module has been damaged or cracked.
- Take care not to pull any electrical wires during unpacking as this may damage the connection.
- Lay out all the components on a smooth surface and make sure there are no components missing before assembling. If parts are missing, return the complete product to the place of purchase for inspection or replacement.

- Check whether the LED downlight has been damaged during transport. Do not operate/install any product which appears damaged in any way. Return the complete product to the place of purchase for inspection, repair or replacement.
- Ensure power to the circuit you are working on has been switched OFF before commencing any electrical work.

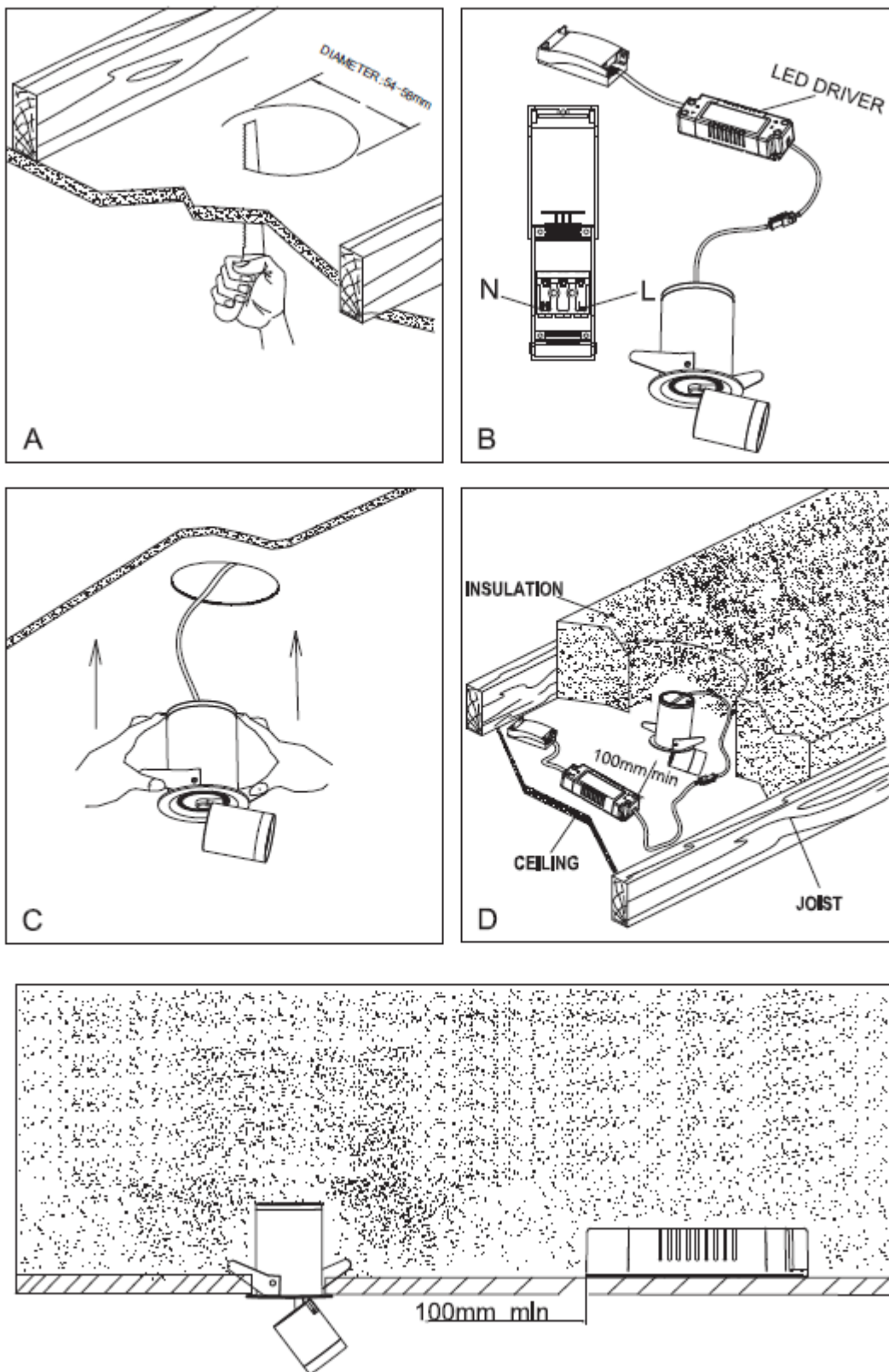
Installation Directions

1. Remove all packaging material from the product.
2. Cut an installation hole of Ø 54 - 58mm into the ceiling. (Fig A).
3. Connect the mains supply wire to the light fitting using the terminal block provided. (Fig B)

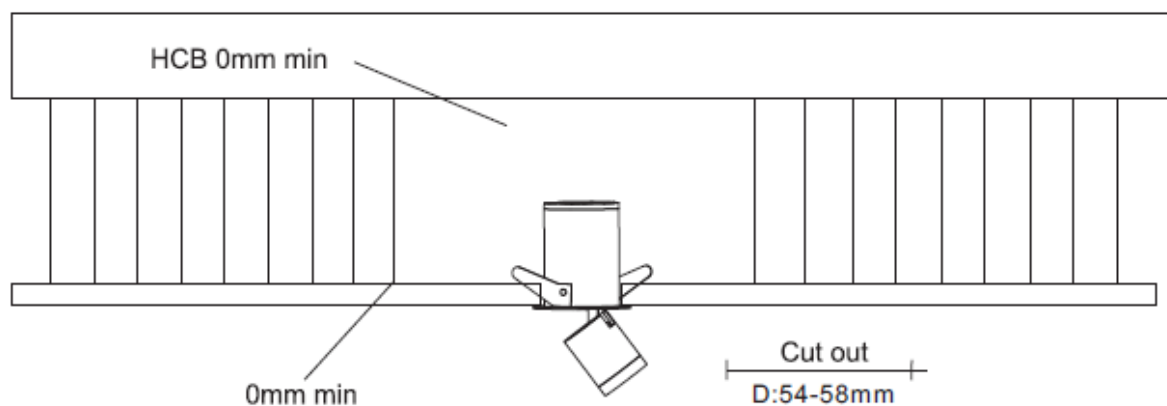
Ensure that the wires are secure and no bare wires are exposed.

Mains Supply Wire	Fitting Wire
Neutral	Blue or Black
Live	Brown or Red

4. Place the LED driver and LED downlight into the ceiling.
5. Thermal insulation can be abutted to the side and cover over LED Driver up to a maximum thickness of 360mm.



Uninsulated Ceiling



Safety tips

- Always ensure the power is OFF and the LED downlight has cooled down before performing any maintenance, cleaning or making any adjustment to the LED downlight.
- To avoid injury or damage to the LED downlight, ensure that power leads and screws are secure before connecting the power.
- Select a suitable location away from liquids and hazards.
- To clean, wipe with a soft damp clean cloth. Do NOT soak or immerse the product in water or other liquids.
- Ensure that the LED downlight does not come in contact with corrosive chemicals/solvents or abrasive cleaners etc.
- Only to be installed outside arms reach.

Specifications

SKU #	#19790	#19791
Colour	White	Black
Rated Voltage	INPUT: 220-240V~ 50Hz	
Rated Wattage	5W	
LED Specs	400 lumens	
Dimmer Information	Highly Recommended Dimmers	Lucci LEDlux SKU# 14830
	Compatible Dimmers	LUMEX Load Smart LT1D450LS; DIGINET LED Smart MEDM; Clipsal 31E2RUDM, 32E450TM, 32E450UDM, 31E2PUDM and 32ELEDM; HPM: Cat. 400T
LED Driver Model #	#SK122-B-07120	